

**LIFE FITNESS IC5 / BELT DRIVE / LIMITED
EDITION**

IC-LFIC6B1-02-LE

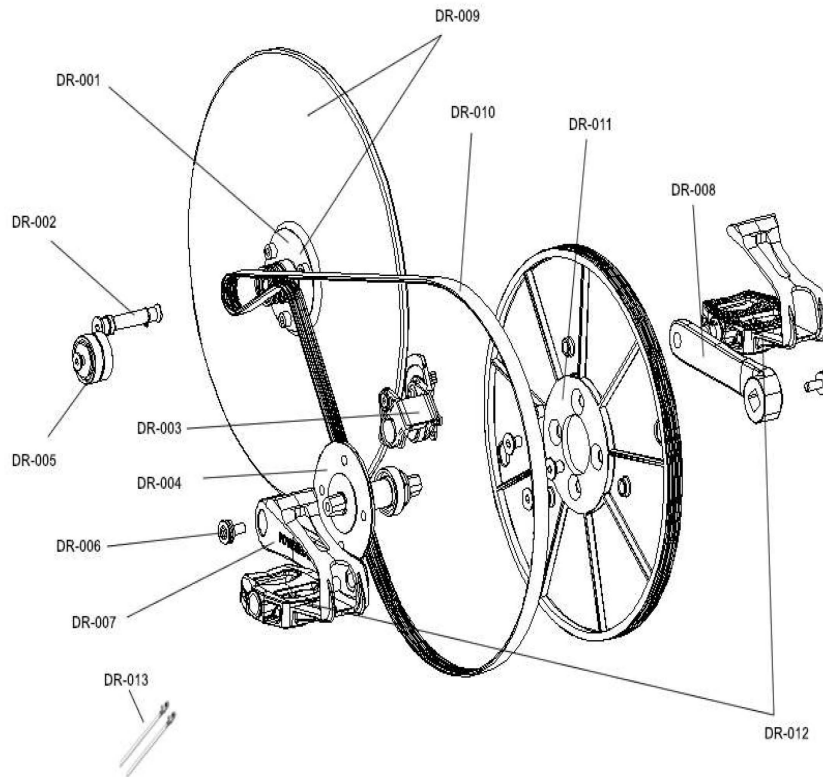
Parts Manual

8/21/2020 17:56:10 PM

Table of Contents

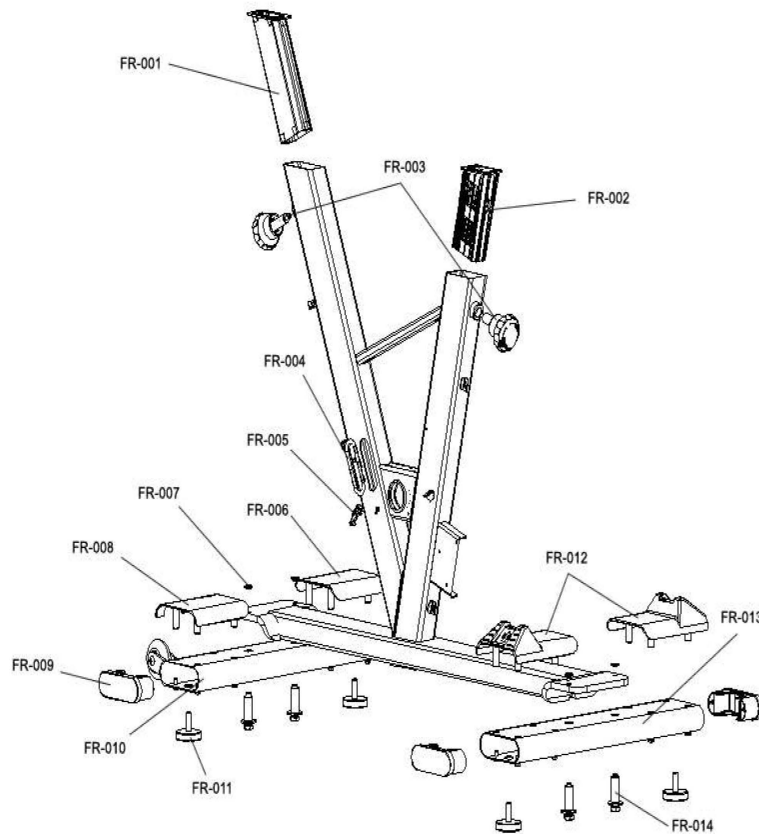
Drive.....3
Frame & Stabilizers.....4
Handlebar slider.....5
Handlebar, Stem & Brake.....6
IC6 Electronics.....7
Seatpost.....8
Shroud.....9
Stem.....10

Drive



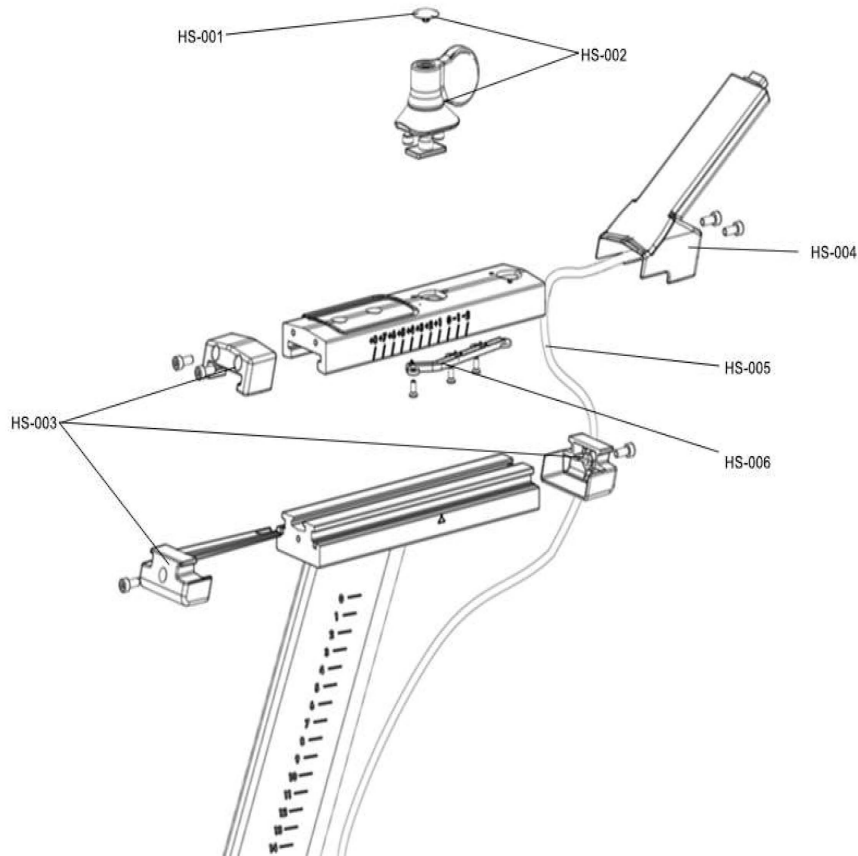
Ref #	Part Number	Qty	Description
DR-001	150-01-00064-01	1	FLYWHEEL HUB ASSEMBLY FOR IC4/IC5/IC6
DR-002	150-01-00065-01	1	FLYWHEEL AXLE KIT FOR IC4/IC5/IC6
DR-003	130-01-00017-01	1	MAGNETIC BRAKE ASSEMBLY FOR IC4/IC5/IC6
DR-004	150-01-00021-01	1	BOTTOM BRACKET REPLACEMENT KIT FOR IC5 & IC7
DR-005	150-01-00063-01	1	IDLER PULLEY FOR IC4/IC5/IC6
DR-006	900-00-90008-20	1	CRANK MOUNTING BOLT, M8X20X1.25P
DR-007	150-03-00141-01	1	RIGHT CRANK ARM, BLACK FOR FWS IC5 HOME
DR-008	150-03-00140-01	1	LEFT CRANK ARM, BLACK FOR FWS IC5 HOME
DR-009	150-01-00091-01	1	FLYWHEEL ASSEMBLY FOR FWS IC5 HOME
DR-010	150-03-00076-02	1	OPTIBELT PJ8
DR-011	150-01-00066-01	1	PULLEY (8PJ) INCL. MOUNTING BOLTS IC4/IC5/IC6
DR-012	150-01-00005-03	1	COMBI PEDAL SET SPD COMPATIBLE
DR-013	150-03-00048-01	1	TOE STRAP SET

Frame & Stabilizers



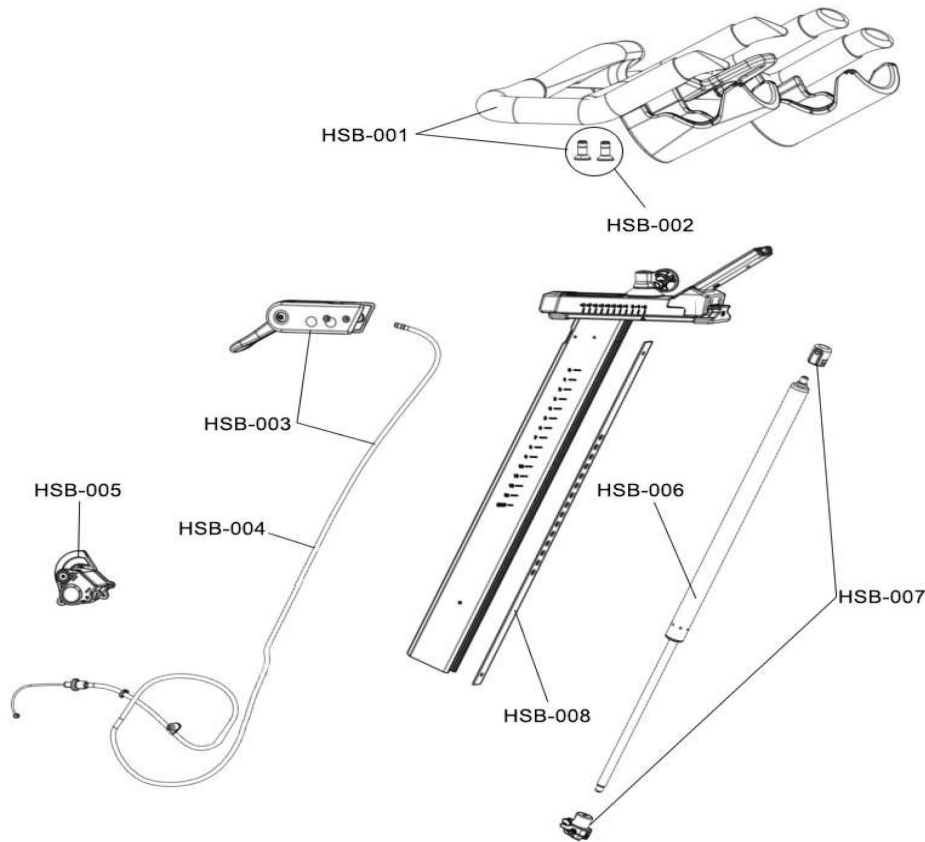
Ref #	Part Number	Qty	Description
FR-001	100-01-00010-02	1	INSERT SLEEVE SET HANDLEBAR TUBE
FR-002	100-03-00094-01	1	INSERT SLEEVE FOR SEATPOST TUBE
FR-003	180-01-00052-01	1	POP PIN ADJUSTMENT KNOB, BLUE FOR FWS IC5 HOME
FR-004	100-03-00099-01	1	CABLE GUIDE HANDLEBAR FRAME TUBE
FR-005	100-03-00057-01	1	CABLE LOOP BOWDEN- AND CONSOLE CABLE IC4/IC5/IC6
FR-006	140-01-00005-01	1	FRONT STABILIZER PROTECTION PLATE KIT RIGHT IC3 & IC5 & IC7
FR-007	190-01-00018-01	1	STABILIZER BRACKET POP OUT COVER (5 PCS) IC3 & IC5 & IC7
FR-008	140-01-00004-01	1	FRONT STABILIZER PROTECTION PLATE KIT LEFT IC3 & IC5 & IC7
FR-009	140-03-00001-01	1	STABILIZER END CAP (FRONT & REAR) IC3 & IC5 & IC7
FR-010	140-02-00003-01	1	FRONT STABILIZER WELDMENT FOR IC3
FR-011	190-01-00027-01	1	LEVELING FEET RUBBER 75 SHORE (2 PCS) IC2 & IC3 & IC5 & IC7
FR-012	140-01-00006-01	1	REAR STABILIZER STRETCH PLATE KIT IC3 & IC5 & IC7
FR-013	140-02-00002-01	1	REAR STABILIZER TUBE FOR IC3 & IC5 & IC7
FR-014	190-01-00004-01	1	STABILIZER KIT (1X BOLT WASHER CAP SLEEVE) IC3 & IC5 & IC7

Handlebar slider



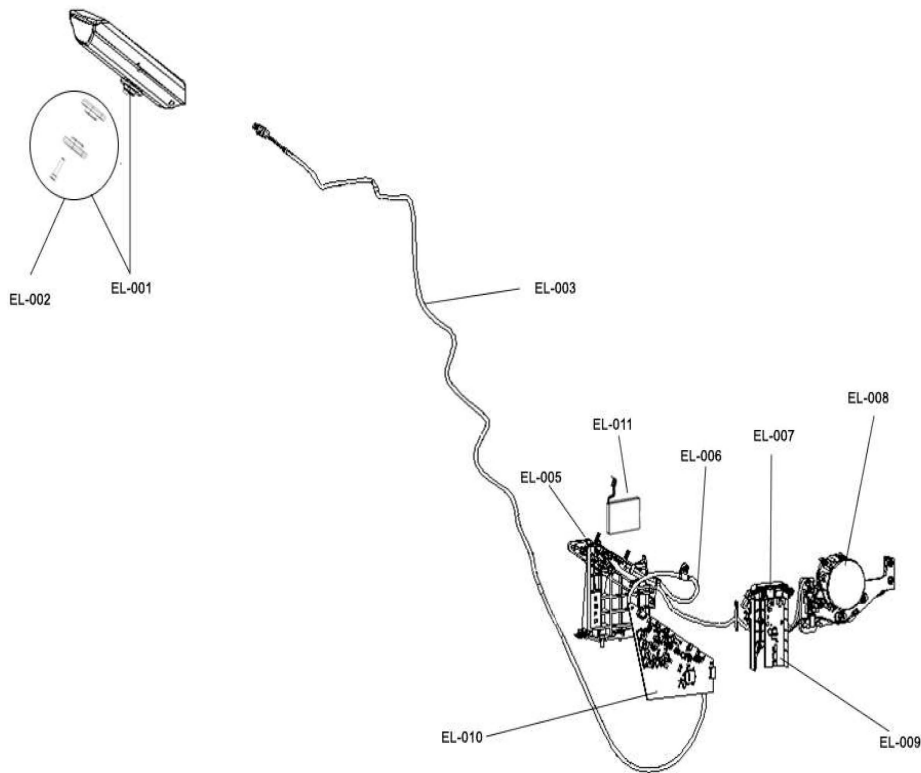
Ref #	Part Number	Qty	Description
HS-001	190-01-00046-01	5	THUMB LOCK LEVER CAP HORIZONTAL ADJUST (10 PCS) IC4/IC5/IC6/IC7
HS-002	110-01-00093-01	1	THUMB LOCK HANDLE ASSEMBLY FOR HORIZONTAL HANDLEBA
HS-003	190-01-00083-01	1	END CAP SET HORIZONTAL HANDLEBAR SLIDER
HS-004	190-01-00084-01	1	CONSOLE BRACKET 2-PIECE PLASTIC
HS-005	170-01-00019-01	1	CONSOLE CABLE INCL. MOUNTING PARTS FOR IC5/IC6
HS-006	110-01-00011-02	1	CABLE COVER KIT UPPER HORIZONTAL HBAR SLIDER IC5/IC6/IC7

Handlebar, Stem & Brake



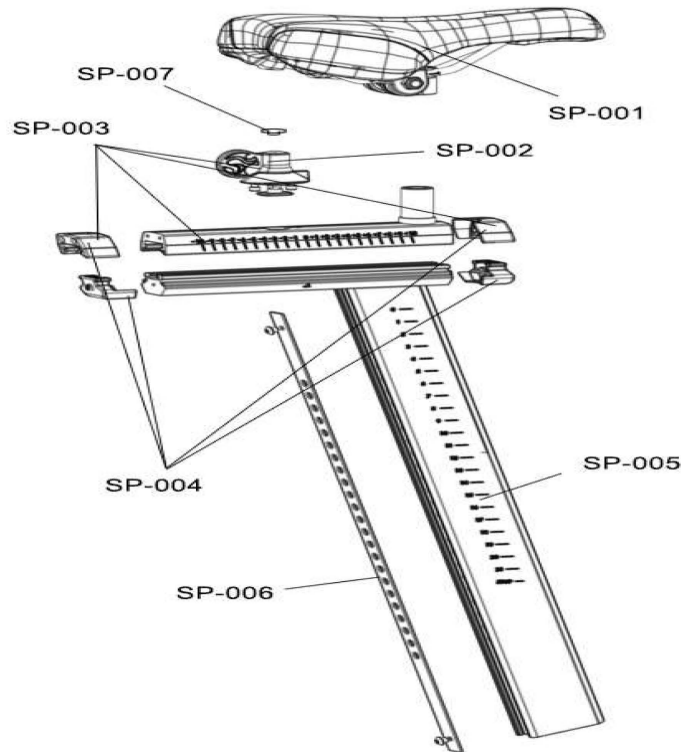
Ref #	Part Number	Qty	Description
HSB-001	110-01-00009-02	1	HBAR WITH SOFT PVC COATING 30MM PITCH AND BOLTS IC5 & IC7
HSB-002	190-01-00048-01	1	HANDLEBAR MOUNTING BOLTS FOR IC4/IC5/IC6/IC7
HSB-003	130-01-00018-01	1	BRAKE HANDLE ASSEMBLY FOR IC4/IC5/IC6
HSB-004	130-01-00019-01	1	BOWDENCABLE KIT FOR BRAKE FOR IC4/IC5/IC6
HSB-005	130-01-00017-01	1	MAGNETIC BRAKE ASSEMBLY FOR IC4/IC5/IC6
HSB-006	180-02-00029-01	1	GASSPRING FOR IC4/IC5/IC6
HSB-007	190-01-00045-01	1	MOUNTINGKIT GASSPRING FOR IC4/IC5/IC6
HSB-008	110-01-00027-01	1	PROTECTION INSERT KIT VERTICAL HBAR STEM IC4/IC5/IC6

IC6 Electronics



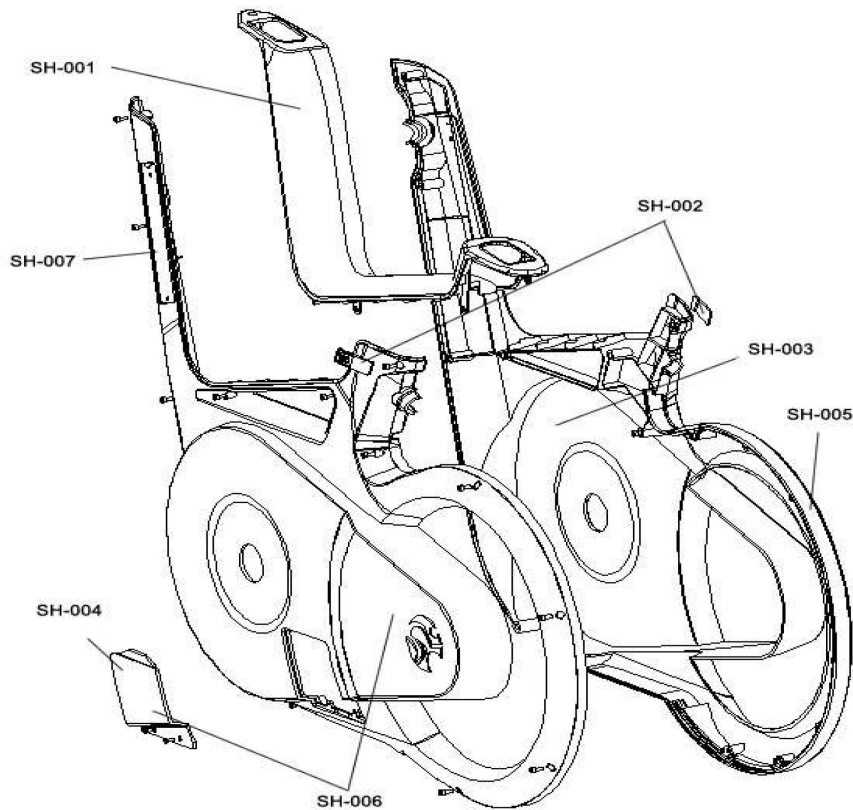
Ref #	Part Number	Qty	Description
EL-001	320-00-00016-01	1	ICG Wattrate TFT Computer REV2
EL-002	190-01-00049-01	1	CONSOLE MOUNTING BRACKET INCL. BOLT HBAR BRIDGE
EL-003	170-01-00019-01	1	CONSOLE CABLE INCL. MOUNTING PARTS FOR IC5/IC6
EL-005	170-01-00023-01	1	POWER MODULE BRACKET INCL. REED SENSOR AND BOLTS IC6
EL-006	170-01-00025-01	1	MAIN CABLE HARNESS KIT FOR IC6
EL-007	170-01-00017-02	1	GEAR MODULE BRACKET INCL. BOLTS FOR IC5/IC6
EL-008	150-01-00072-01	1	GENERATOR ASSEMBLY FOR IC6
EL-009	170-02-00016-06	1	GEAR MODULE PCB FOR IC6/7/8; 2ND GENERATION
EL-010	170-01-00009-01	1	POWER MODULE, COATED PCB, ASSEMBLY FOR IC7
EL-011	170-03-00012-01	1	LIPO RECHARGABLE BATTERY 5000MAH/ 3.7V FOR IC7

Seatpost



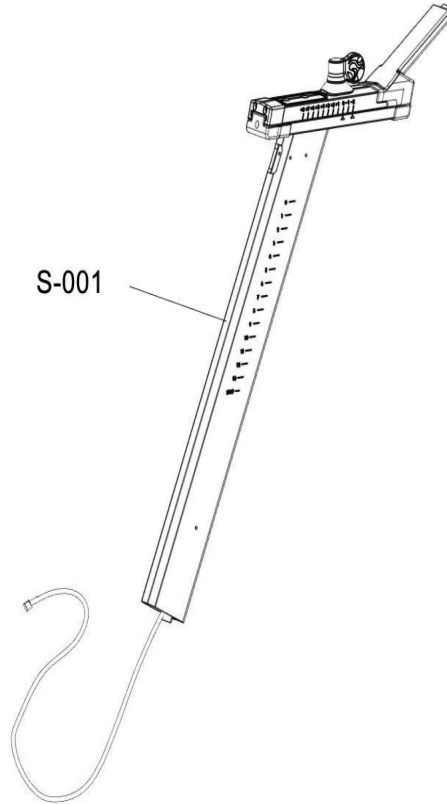
Ref #	Part Number	Qty	Description
SP-001	120-01-00015-02	1	SPORT SADDLE BLACK & RED INCL. SADDLE CLAMP WITHOUT STOPPER
SP-002	120-01-00072-01	1	THUMB LOCK HANDLE ASSEMBLY FOR HORIZONTAL SEATPOST
SP-003	120-01-00071-01	1	Narrow Upper Seatpost Slider assembly For IC5 IC6
SP-004	190-01-00036-02	1	END CAP SET NARROW HORIZONTAL SEATPOST SLIDER FOR IC4 & IC5 & IC6 & IC7 & IC8
SP-005	120-01-00075-01	1	NARROW SEATPOST ASSEMBLY FOR IC5 SPECIAL EDITION
SP-006	120-01-00025-01	1	PROTECTION INSERT KIT VERTICAL SEATPOST STEM IC4/IC5/IC6
SP-007	190-01-00046-01	5	THUMB LOCK LEVER CAP HORIZONTAL ADJUST (10 PCS) IC4/IC5/IC6/IC7

Shroud



Ref #	Part Number	Qty	Description
SH-001	160-01-00021-02	1	TOP MAIN COVER KIT FOR IC4/IC5/IC6
SH-002	160-01-00026-01	1	DECAL IC6 - ALUMINIUM BADGE - RIGHT AND LEFT
SH-003	160-01-00086-01	1	RIGHT SIDE MAIN SHROUD KIT INCL. ALUMINIUM RING FO
SH-004	160-01-00020-01	1	COVER BATTERY COMPARTMENT INCL. BOLTS IC4/IC5/IC6
SH-005	160-01-00069-01	1	ALUMINIUM PROTECTION RING KIT, BLACK FWS IC5
SH-006	160-01-00087-01	1	LEFT SIDE MAIN SHROUD KIT FOR IC5 SPECIAL EDITION
SH-007	160-01-00039-01	2	LIFEFITNESS, LOGO PLATE INSERT KIT, RIGHT AND LEFT FOR IC4/IC5/IC6

Stem



Ref #	Part Number	Qty	Description
S-001	110-01-00096-01	1	UPPER HANDLEBAR SLIDER AND STEM ASSEMBLY FOR IC5

